



30V/120A N-Channel Advanced Power MOSFET

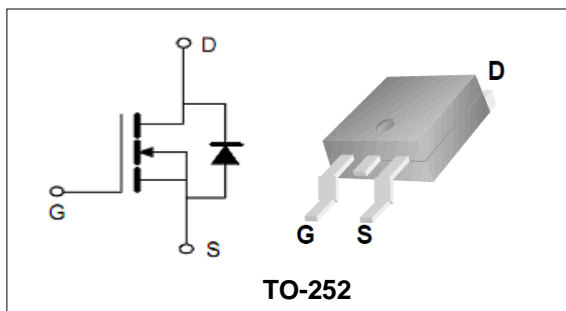
Features

- Low Rds-on to Minimize Conductive Loss
- High avalanche Current
- 100% Avalanche Tested

Applications

- Load Switch
- PWM Application
- Power management

BVDSS	30	V
ID	120	A
RDSON@VGS=10V	2.4	mΩ
RDSON@VGS=4.5V	4	mΩ



Order Information

Product	Package	Marking	Reel Size	Reel	Carton
PTD30N120	TO-252	PTD30N120	13inch	2500PCS	50000PCS

Absolute Maximum Ratings

Symbol	Parameter	Rating	Unit	
Common Ratings (TC=25°C Unless Otherwise Noted)				
$V_{(BR)DSS}$	Drain-Source Breakdown Voltage	30	V	
V_{GS}	Gate-Source Voltage	±20	V	
T_J	Maximum Junction Temperature	150	°C	
T_{STG}	Storage Temperature Range	-55 to 150	°C	
I_S	Diode Continuous Forward Current	TC =25°C	120	A
Mounted on Large Heat Sink				
E_{AS}	Single Pulse Avalanche Energy (Note1)	146	mJ	
I_{DM}	Pulse Drain Current Tested (Silicon Limit) (Note2)	TC =25°C	480	A
I_D	Continuous Drain current	TC =25°C	120	A
P_D	Maximum Power Dissipation	TC =25°C	115	W
$R_{θJc}$	Thermal Resistance Junction-to-Case (Note3)	1.09	°C/W	



30V/120A N-Channel Advanced Power MOSFET

Symbol	Parameter	Condition	Min.	Typ.	Max.	Unit
Static Electrical Characteristics @ T_J = 25°C (unless otherwise stated)						
V _{(BR)DSS}	Drain- Source Breakdown Voltage	VGS=0V ID=250μA	30	--	--	V
I _{DSS}	Zero Gate Voltage Drain current	VDS=30V,VGS=0V	--	--	1	μA
I _{GSS}	Gate-Body Leakage Current	VGS=±20V,VDS=0V	--	--	±100	nA
V _{GS(TH)}	Gate Threshold Voltage	VDS=VGS,ID=250μA	1	1.5	2.5	V
R _{DS(ON)}	Drain-Source On-State Resistance (Note4)	VGS=10V, ID=40A	--	2.4	2.9	mΩ
		VGS=4.5V, ID=20A	--	4	4.6	mΩ
Dynamic Electrical Characteristics @ T_J = 25°C (unless otherwise stated) (Note5)						
C _{iss}	Input Capacitance	VDS=15V, VGS=0V, F=1MHz	--	3350	--	pF
C _{oss}	Output Capacitance		--	479	--	pF
C _{rss}	Reverse Transfer Capacitance		--	433	--	pF
Q _g	Total Gate Charge	VDS=15V, ID=20A, VGS=10V	--	89	--	nC
Q _{gs}	Gate-Source Charge		--	13	--	nC
Q _{gd}	Gate-Drain Charge		--	19	--	nC
Switching Characteristics (Note5)						
t _{d(on)}	Turn-on Delay Time	VDS=15V, ID=20A, RG=3Ω, VGS=10V	--	13	--	nS
t _r	Turn-on Rise Time		--	17	--	nS
t _{d(off)}	Turn-off Delay Time		--	44	--	nS
t _f	Turn-off Fall Time		--	13	--	nS
Source- Drain Diode Characteristics @ T_J = 25°C (unless otherwise stated)						
V _{SD}	Forward on voltage	IS=60A,VGS=0V	--	--	1.2	V

Note:

- Limited by T_{Jmax}, starting T_J = 25° C, R_G = 25Ω, V_D = 20V, V_{GS} = 10V. Part not recommended for use above this value.
- Repetitive Rating: Pulse width limited by maximum junction temperature.
- Surface Mounted on FR4 Board, t ≤ 10 sec.
- Pulse Test: pulse width ≤ 300 us, duty cycle ≤ 2%.
- Guaranteed by design, not subject to production testing.



30V/120A N-Channel Advanced Power MOSFET

Typical Characteristics

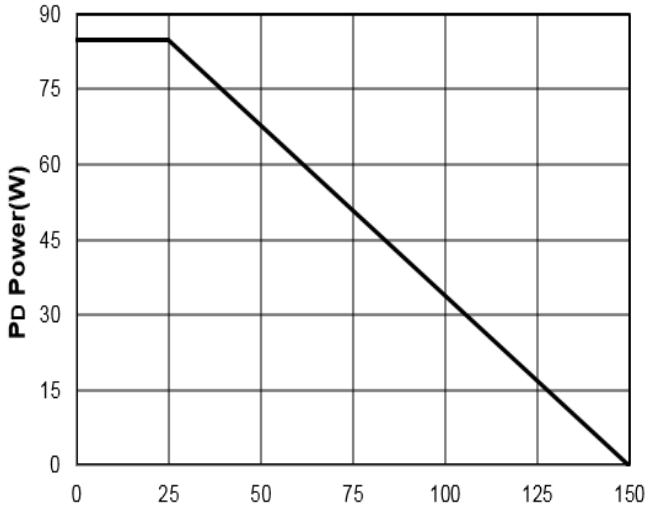


Figure1: T_J -Junction Temperature (°C)

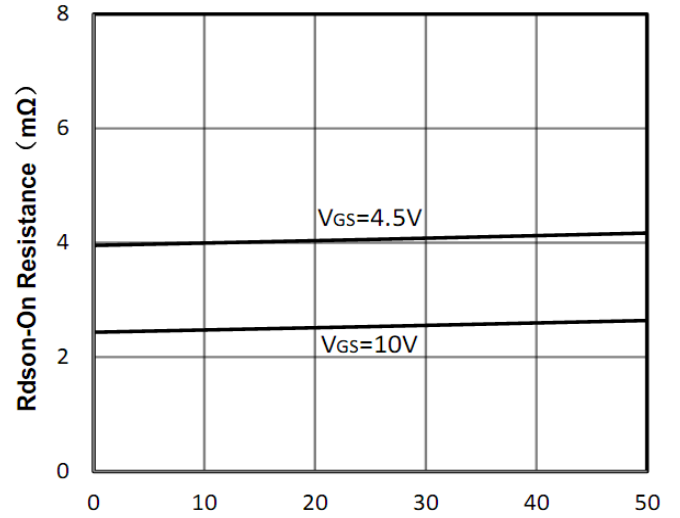


Figure2: ID -Drain Current (A)

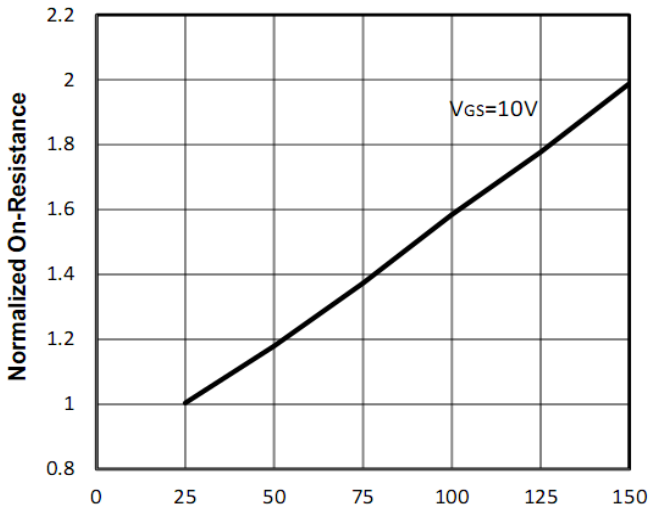


Figure3: T_J -Junction Temperature (°C)

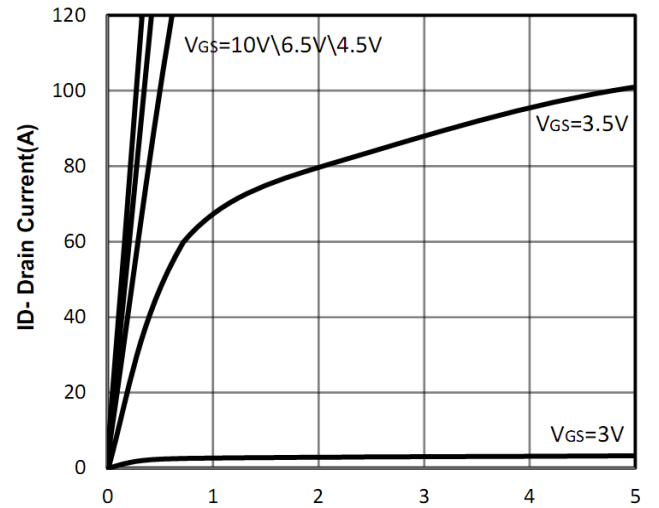


Figure4: V_{DS} -Drain Source Voltage (V)

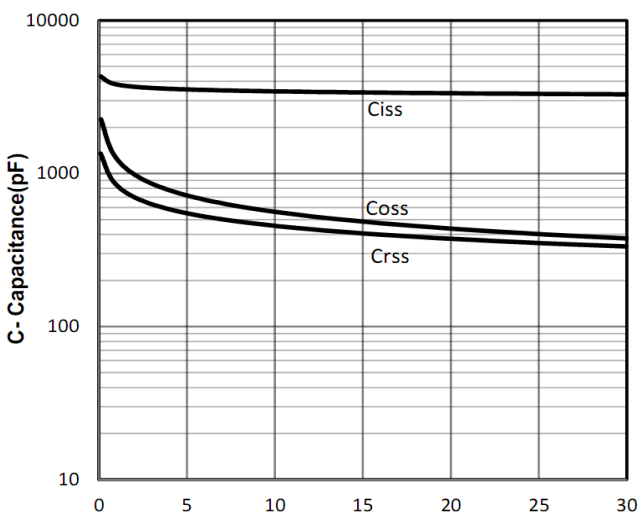


Figure5: V_{DS} -Drain Source Voltage (V)

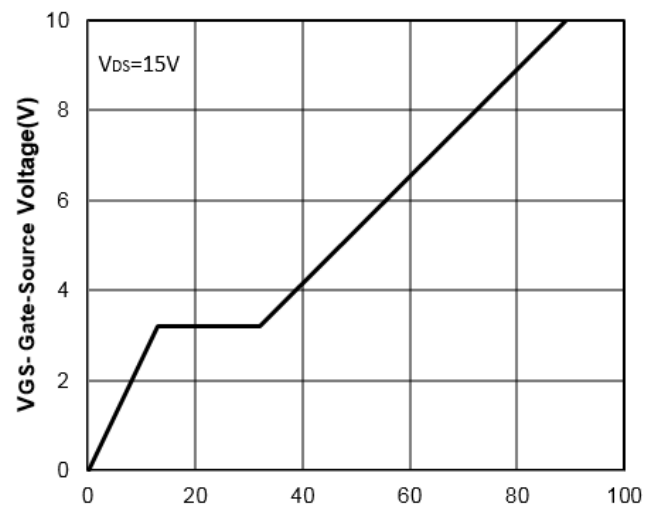


Figure6: Q_g Gate Charge (nC)



30V/120A N-Channel Advanced Power MOSFET

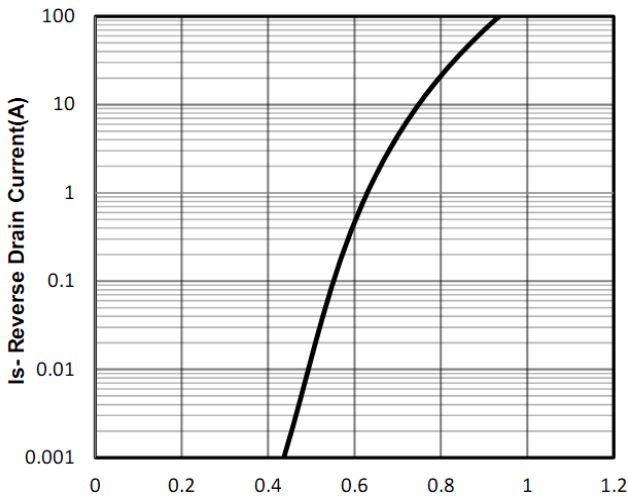


Figure7: Vsd -Source Drain Voltage (V)

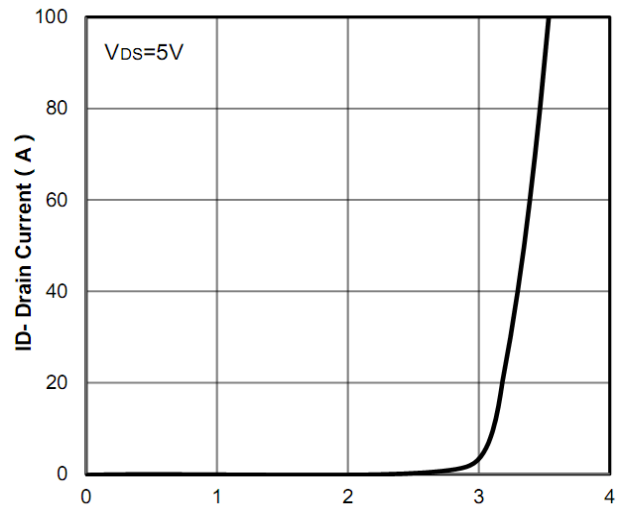


Figure8: Vgs -Gate Source Voltage (V)

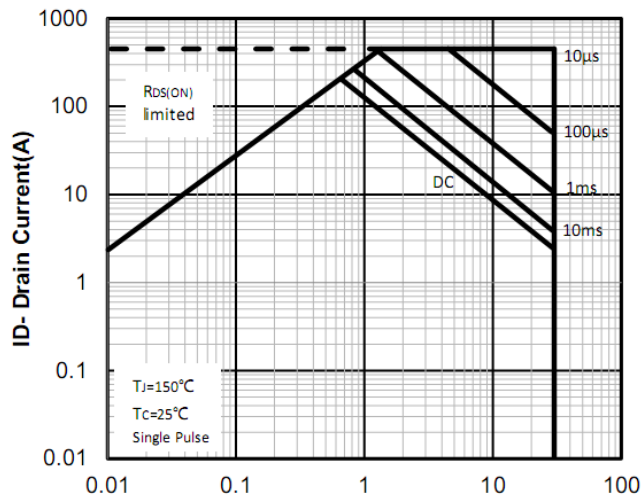


Figure9: Vds -Drain Source Voltage (V)

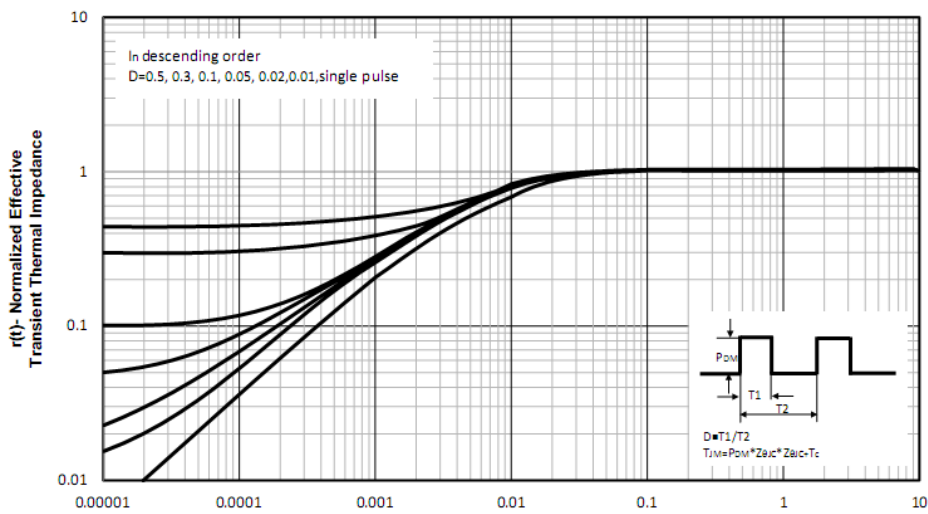


Figure10: Square Wave Pulse Duration (sec)

30V/120A N-Channel Advanced Power MOSFET

Test Circuit and Waveform:

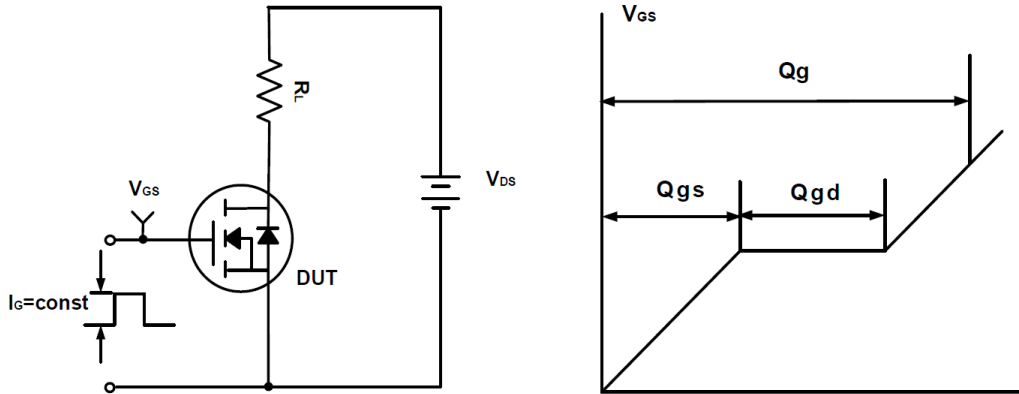


Figure A Gate Charge Test Circuit & Waveforms

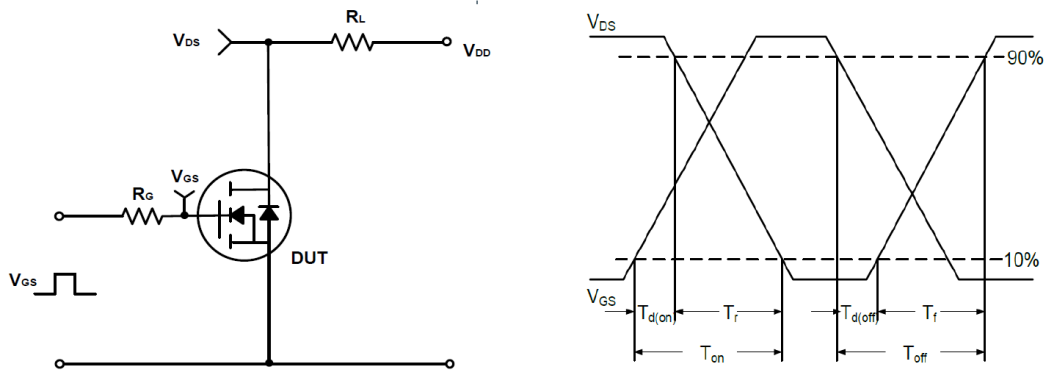


Figure B Switching Test Circuit & Waveforms

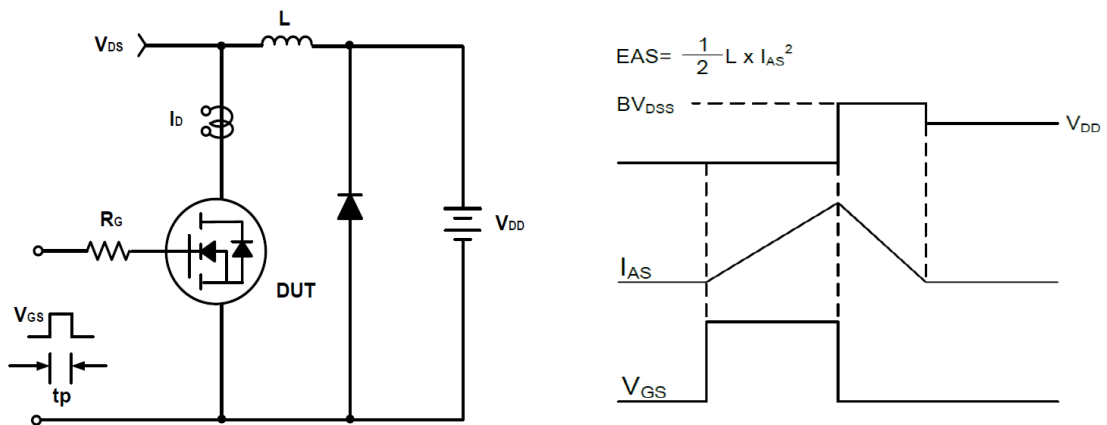
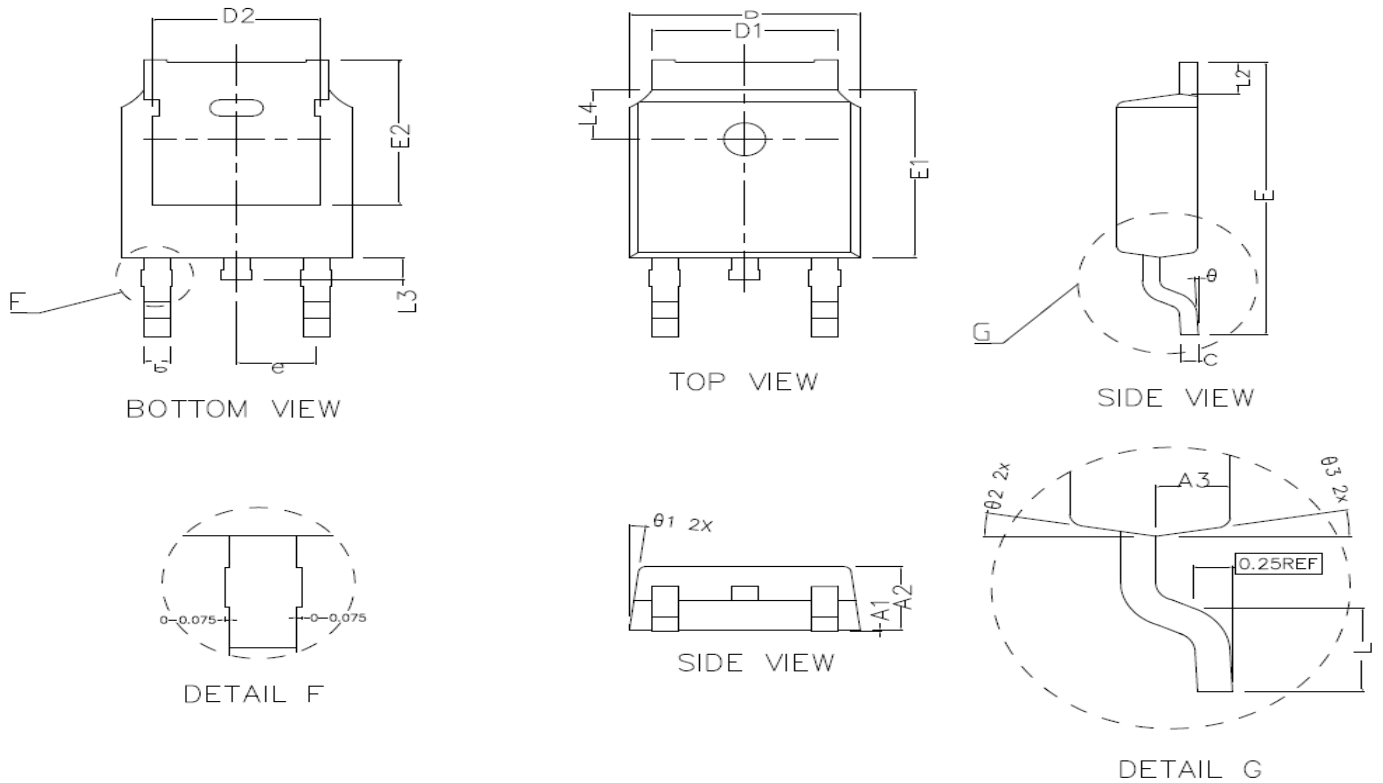


Figure C Unclamped Inductive Switching Circuit & Waveforms



30V/120A N-Channel Advanced Power MOSFET

TO-252 Package Outline Dimensions (Units: mm)



COMMON DIMENSIONS (UNITS OF MEASURE IS mm)			
	MIN	NORMAL	MAX
A1	0.000	0.100	0.150
A2	2.200	2.300	2.400
A3	1.020	1.070	1.120
b	0.710	0.760	0.810
c	0.460	0.508	0.550
D	6.500	6.600	6.700
D1	5.330REF		
D2	4.830REF		
E	9.900	10.100	10.300
E1	6.000	6.100	6.200
E2	5.600REF		
e	2.286TYPE		
L	1.400	1.550	1.700
L2	1.10REF		
L3	0.80REF		
L4	1.80REF		
theta	0~8°		
theta1	7° TYPE		
theta2	10° TYPE		
theta3	10° TYPE		